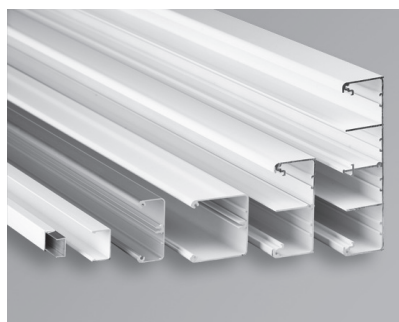
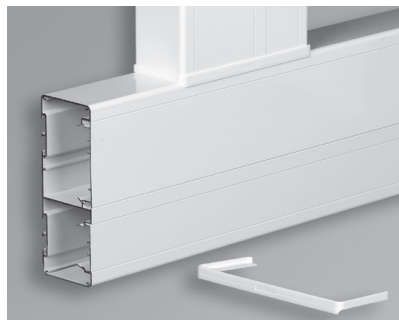
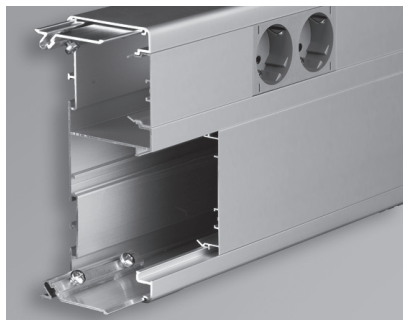


Prijslijst

Wandgoten en voedingskanalen in aluminium

Liste des prix

Gaines murales et gaines d'alimentation en aluminium



1 februari 2012

1 février 2012

stagobel
ELECTRO

NORDIC  ALUMINIUM

Prijslijst 1 februari 2012

Liste des prix 1 février 2012

stagobel
ELECTRO

| REFERENTIE REFERENCE | BRUTOPRIJS PRIX BRUT € | EENHEID UNITÉ |
|-------------------------|---------------------------|------------------|
|-------------------------|---------------------------|------------------|

| | | |
|-----------|-------|--------|
| TBA10-1 | 51,50 | M |
| TBA10-3 | 51,50 | M |
| TBA18-1 | 90,75 | M |
| TBA18-3 | 90,75 | M |
| TBA302-1 | 27,90 | M |
| TBA302-3 | 27,90 | M |
| TBA32-1 | 10,50 | M |
| TBA32-3 | 10,50 | M |
| TBA40BC-1 | 20,40 | M |
| TBA40BC-3 | 20,40 | M |
| TBA40EC-1 | 1,25 | STK/PC |
| TBA40EC-3 | 1,25 | STK/PC |
| TBA40IC-1 | 2,00 | STK/PC |
| TBA40IC-3 | 2,00 | STK/PC |
| TBA40LC-1 | 2,00 | STK/PC |
| TBA40LC-3 | 2,00 | STK/PC |
| TBA40OC-1 | 2,00 | STK/PC |
| TBA40OC-3 | 2,00 | STK/PC |
| TBA40TC-1 | 2,00 | STK/PC |
| TBA40TC-3 | 2,00 | STK/PC |
| TBA40WL-3 | 0,50 | STK/PC |
| TBA652-1 | 36,55 | M |
| TBA652-3 | 36,55 | M |
| TBC100-1 | 35,45 | STK/PC |
| TBC100-3 | 35,45 | STK/PC |
| TBC135-1 | 35,45 | STK/PC |
| TBC135-3 | 35,45 | STK/PC |
| TBC170-1 | 37,60 | STK/PC |
| TBC170-3 | 37,60 | STK/PC |
| TBC220-1 | 39,85 | STK/PC |
| TBC220-3 | 39,85 | STK/PC |
| TBD100-1 | 10,20 | STK/PC |
| TBD100-3 | 10,20 | STK/PC |

| REFERENTIE REFERENCE | BRUTOPRIJS PRIX BRUT € | EENHEID UNITÉ |
|-------------------------|---------------------------|------------------|
|-------------------------|---------------------------|------------------|

| | | |
|----------|-------|--------|
| TBD180-1 | 11,55 | STK/PC |
| TBD180-3 | 11,55 | STK/PC |
| TBD30-1 | 9,05 | STK/PC |
| TBD30-3 | 9,05 | STK/PC |
| TBD65-1 | 9,15 | STK/PC |
| TBD65-3 | 9,15 | STK/PC |
| TBE1 | 8,90 | STK/PC |
| TBE100 | 11,15 | STK/PC |
| TBE125 | 13,55 | STK/PC |
| TBE20-1 | 9,75 | M |
| TBE20-3 | 9,75 | M |
| TBE25 | 5,85 | STK/PC |
| TBE3 | 2,90 | STK/PC |
| TBE50 | 7,00 | STK/PC |
| TBE75 | 9,00 | STK/PC |
| TBF1 | 5,40 | STK/PC |
| TBF11 | 1,25 | STK/PC |
| TBF12 | 13,30 | STK/PC |
| TBF2 | 12,25 | STK/PC |
| TBH1 | 10,00 | M |
| TBJ1 | 4,10 | STK/PC |
| TBJ8 | 0,45 | STK/PC |
| TBK1 | 1,35 | STK/PC |
| TBL10-1 | 7,20 | STK/PC |
| TBL10-3 | 7,20 | STK/PC |
| TBL13-1 | 7,20 | STK/PC |
| TBL13-3 | 7,20 | STK/PC |
| TBL17-1 | 7,20 | STK/PC |
| TBL17-3 | 7,20 | STK/PC |
| TBL22-1 | 7,20 | STK/PC |
| TBL22-3 | 7,20 | STK/PC |
| TBM1 | 13,65 | STK/PC |
| TBO100-3 | 7,90 | STK/PC |

| REFERENTIE REFERENCE | BRUTOPRIJS PRIX BRUT € | EENHEID UNITÉ |
|-------------------------|---------------------------|------------------|
|-------------------------|---------------------------|------------------|

| | | |
|----------|--------|--------|
| TBO135-3 | 8,40 | STK/PC |
| TBO170-3 | 8,65 | STK/PC |
| TBO220-3 | 9,00 | STK/PC |
| TBP100-1 | 11,80 | STK/PC |
| TBP100-3 | 11,80 | STK/PC |
| TBP135-1 | 12,65 | STK/PC |
| TBP135-3 | 12,65 | STK/PC |
| TBP170-1 | 14,30 | STK/PC |
| TBP170-3 | 14,30 | STK/PC |
| TBP220-1 | 15,75 | STK/PC |
| TBP220-3 | 15,75 | STK/PC |
| TB1010-1 | 46,10 | M |
| TB1010-3 | 46,10 | M |
| TB1040-1 | 49,85 | M |
| TB1040-3 | 49,85 | M |
| TB1310-1 | 47,60 | M |
| TB1310-3 | 47,60 | M |
| TB1340-1 | 52,80 | M |
| TB1340-3 | 52,80 | M |
| TB1710-1 | 60,35 | M |
| TB1710-3 | 60,35 | M |
| TB1740-1 | 61,55 | M |
| TB1740-3 | 61,55 | M |
| TB2210-1 | 81,40 | M |
| TB2210-3 | 81,40 | M |
| TB2240-1 | 101,30 | M |
| TB2240-3 | 101,30 | M |
| TB45-1 | 10,35 | M |
| TB45-3 | 10,35 | M |
| TB80-1 | 14,50 | M |
| TB80-3 | 14,50 | M |
| XTBO304 | 8,20 | STK/PC |
| XTBO308 | 14,10 | STK/PC |

STE : stuk – PC : pièce – M : meter/mètre

Deze prijslijst vernietigt en vervangt alle voorgaande. Alle prijzen zijn bruto, exclusief BTW.
Cette liste des prix annule et remplace toute liste précédente. Les prix sont bruts et hors TVA.

stagobel
ELECTRO

Karrewegstraat 50, B-9800 Deinze
T 09 381 85 00, F 09 381 85 01
www.stagobel.be, info@stagobel.be

NORNFV0002, ed. 01.02.2012