

# eMOBILITY GATEWAY



MENNEKES eMobility Gateway is responsible for the intelligent networking of MENNEKES charging systems and for connection to backend systems.

# Variants

OCCP modem

Load management with ACU

## eMobility Gateway

	Order no.
<b>simultaneous locking</b>	310561
<b>varying locking</b>	310551

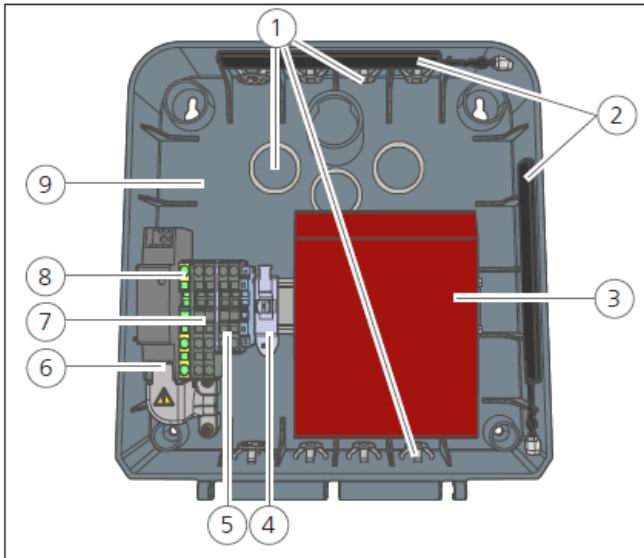
---

# Productfeatures

- Connection up to 16 charging points via RS485
- Communication to the backend via mobile network or LAN via OCPP (Open-Charge-Point-Protocol)
- 2 integrated LTE-antenna for optimal communication
- Connection terminals for bus participants (SCUs)
- For a combined connection of different MENNEKES charging systems (e.g. Premium ground- or wall- mounted charging stations, Amtron® Premium)
- Integrated Load-Management
  - Distribution of the maximum available charging current
  - Ensure adequate supply of connected vehicles (minimum charging current)
  - Avoid expensive power peaks
  - Optional: Additional possibility to reduce the maximum connection current via an external input (only possible with the additional exchange-set).
- Mounting material and cable entries enclosed
- Robust and lockable enclosure für stationary mounting in indoor and outdoor areas

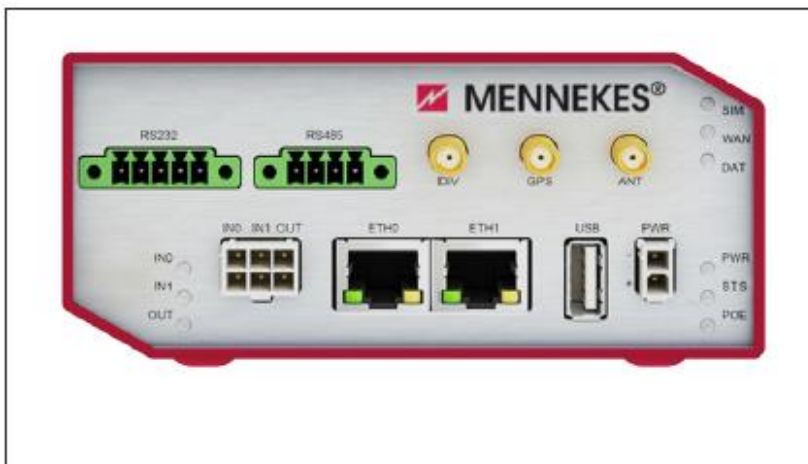
# Assembly

## Layout Gateway



1. Cable entries
2. Antennas
3. ACU V4
4. Screen terminal
5. Bus terminals
6. Mains connection
7. Clamp 1 and 2 for RS485-Bus
8. Clamp for protective conductor (PE)
9. Housing bottom part

## Layout ACU



### Connection:

- RS232: Bus
- RS485: Bus
- ETH0: LAN
- ETH1: LAN
- IN0/ IN1/ OUT: Downgrade-input

### Anzeigen:

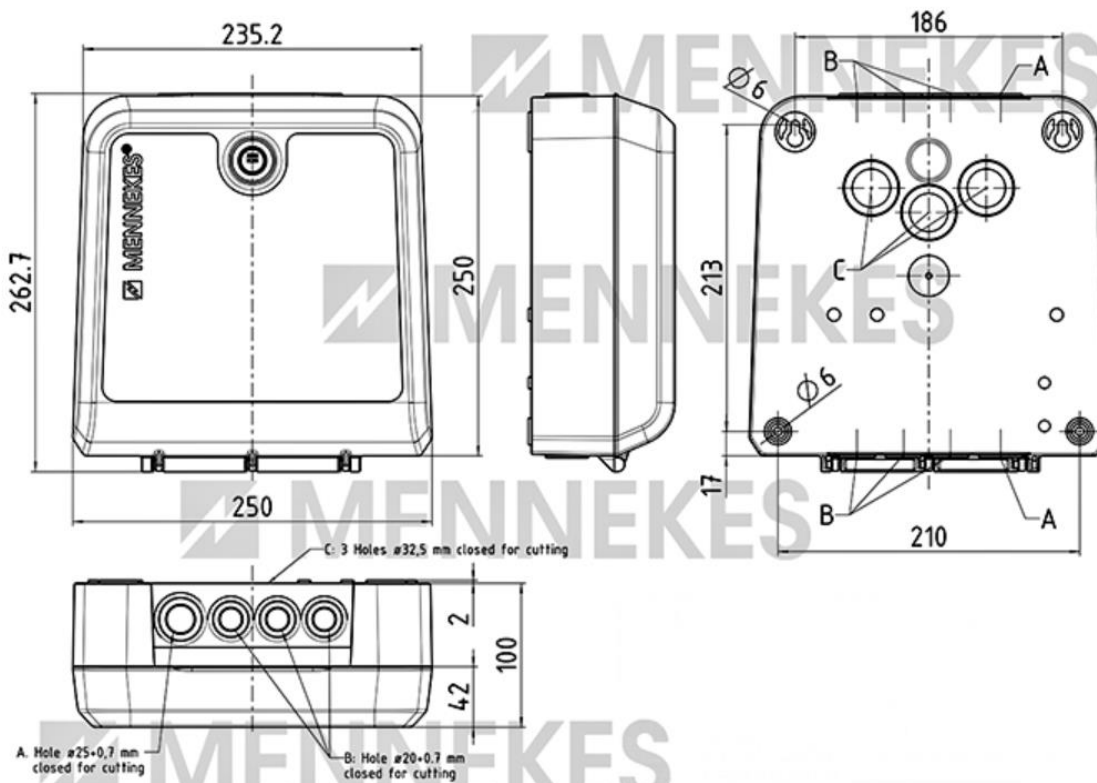
- SIM: GPRS status
- WAN: Internet connection
- DAT: Data transmission via antenna
- PWR: Power (operational)
- STS: Instrument status

# Technical data

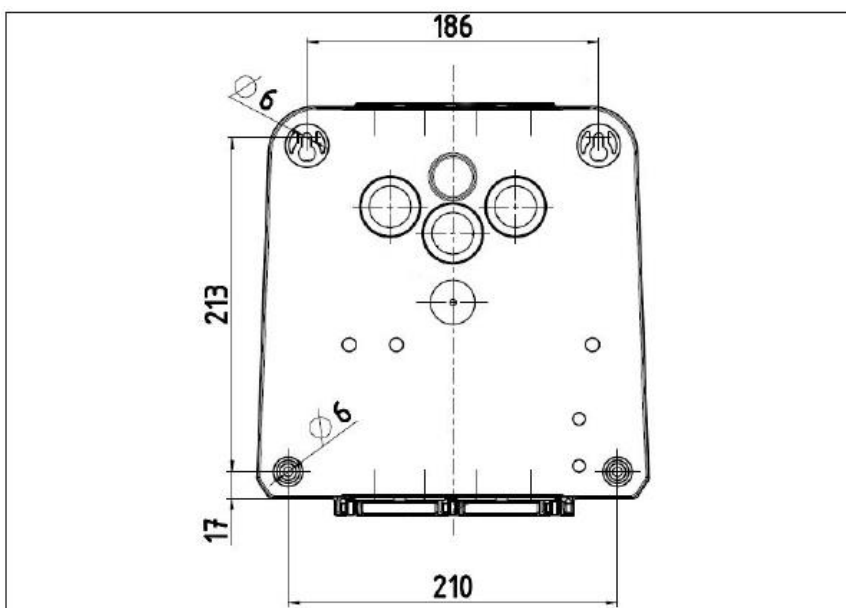
Type-dependent data	310551	310561
Locking enclosure	varying locking	simultaneous locking
Rated voltage $U_N$ [V] AC $\pm$ 10%	230	
Rated frequency $f_N$ [Hz]	50	
Rated current $I_{rA}$ [A]	0,5	
Maximum backup fuse [A]	6	
Earthing system	TN / TT	
Degree of protection	IP 54	
Protection class	II with functional earthing	
Pollution degree	3	
Dimension H x B x T [mm]	250 x 250 x 100	
Weight [kg]	1,7	
Condition of installation	Stationary equipment	
Mounting method	Wall mounted	
Maximum cable cross-section at the terminals	rigid max. 2,5 mm <sup>2</sup> flexible max. 2,5 mm <sup>2</sup>	
Terminal RS 485-Bus	rigid 0,08 - 6 mm <sup>2</sup> flexible 0,08 - 4 mm <sup>2</sup> (2 x 2 connection points and 2 shield connections)	

Environmental conditions	
Ambient air temperature	-25...+40 °C
Average temperature within 24 hours	< 35 °C
Storage temperature	-25...+40°C
Altitude	max. 2000m above sea level
Relative humidity	max. 95 % (non- condensing)

## Dimensions [mm]



## Mounting Distance [mm]



**MENNEKES**

Elektrotechnik GmbH & Co. KG

Aloys-Mennekes-Straße 1  
57399 KIRCHHUNDEM  
GERMANY

Phone: + 49 2723 41-1

Fax: + 49 2723 41-214

info@MENNEKES.de

**www.MENNEKES.com**

[www.chargeupyourday.com](http://www.chargeupyourday.com)