

# Q

QUICK START GUIDE



## Package contents

- Quick Start Guide
- DIVUS MANAGER: DMANAGER
- DIVUS MANAGED SWITCH: DMS-8P-L2+
- Mounting Adapter - set
- 2x Power cable
- Adapter RJ45 on DB9
- Patch cable (purple)

# DIVUS HEARTBEAT

EN

## Quick Start Guide

# COMMISSIONING

## MOUNTING

1. Install DIVUS HEARTBEAT on a 19-inch rack frame with the appropriate adapter provided. Note that the DIVUS MANAGER is mounted on top and the DIVUS MANAGED SWITCH at the bottom. The adapters must be mounted according to their inscription.



## INSTALLATION & POWER CONNECTION

Make the following connections to DIVUS HEARTBEAT:

2. Connect the 2 devices using the provided purple patch cable: DIVUS MANAGER - DIVUS SECURE INTRANET port (purple) to DIVUS MANAGED SWITCH - port 10 (purple).
3. Connect power cable to devices (100-240VAC 420W maximum power consumption at full load).
4. Turn on both devices using the power switch on the back side.

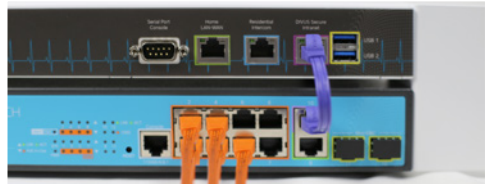
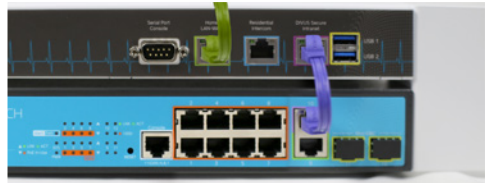


5. If the internet router is already installed, connect it using the Home LAN/WAN port.

**PLEASE NOTE:** If the internet router is not available yet, proceed normally with the shown steps. Step 5 shall be completed once the internet connection is available. Your DIVUS HEARTBEAT will then adapt to the new network automatically. No new configuration of the single devices will be necessary if you follow the instructions detailed here and in the DIVUS HEARTBEAT manual, available from [www.divus.eu](http://www.divus.eu).



6. Connect the DIVUS and/or third-party home automation devices to the DIVUS MANAGED SWITCH on the orange POE+ - ports 1-8



## FIRST SETUP

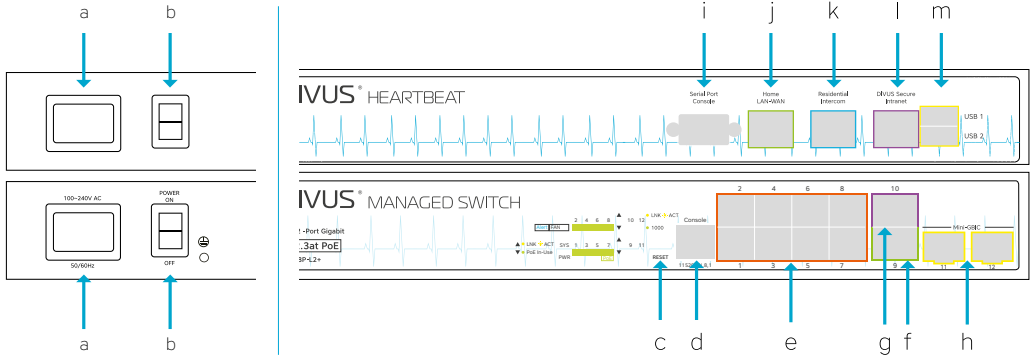
7. Connect your laptop to the DIVUS MANAGED SWITCH (DMS-8P-L2+) port 9 (green).
8. Open your browser and go to: <https://dms-8p-l2+>
9. Complete the registration process.
10. Login.
11. Follow the guided instructions in the web interface:
  - a. Adaptation of network parameters (if necessary)
  - b. Network scan (may take a few minutes to complete!)
  - c. Report download (if necessary)



# TECHNICAL DATA

	MANAGER	MANAGED SWITCH
<b>GENERAL HARDWARE SPECIFICATION</b>		
Power supply	100 ... 240VAC, 50/60Hz	100 ... 240VAC, 50/60Hz
Power consumption	Max. 1A (100 VAC) /max. 0,55A (240VAC)	Max. 3A (100 VAC) / max. 1,35A (240 VAC)
Protection grade	Total max. consumption 420W IP 20 according EN 60529	
Dimension (WxDxH)	330 x 200 x 43.5 mm, 1U height	330 x 200 x 43.5 mm, 1U height
Weight	ca. 1.5 kg	ca. 2 kg
Temp. range (operating)	Total weight: ca. 3.5 kg Temperature: +5°C ... +45°C Relative humidity: 5% ... 80% at 25°C (no humidity/condense)	
Temp. range (storage)	Temperature: -10°C ... +60°C Relative humidity: 5% ... 80% at 25°C (no humidity/condense)	

## LAYOUT



- a) Power connector on plug - Manager & Switch
- b) Power switch - Manager & Switch

### MANAGED SWITCH

- c) Switch reset button
- d) Serial interface on RJ45
- e) 8 POE+ ports (orange 1-8) DIVUS SECURE NETWORK
- f) Port 9 – for cascading connections (to other switches) or for normal client devices.
- g) Port 10 – same as 9. Use to connect to manager.
- h) Port 11-12 Mini-GBIC - not in use

### MANAGER

- i) Serial interface on DB9
- j) Home LAN-WAN
- k) Residential Intercom
- l) DIVUS SECURE INTRANET - port to connect manager to switch
- m) 2 USB 3.0 ports

# CLIENT SETUP

## OPTIMA

### TOUCHZONE

1. Connect the TOUCHZONE(s) using one of the 8 ports of the DIVUS MANAGED SWITCH.
2. In the OPTIMA App's settings, use divus-heartbeat as KNX SERVER IP address port number 3000
3. Use the new DIVUS App DIVUS HEARTBEAT to see and change the DIVUS heartbeat's settings, watch the logs, scan the network etc.

iOS & Android devices

KNX SERVER IP ADDRESS FIELD (OPTIMA App):  
dhb-heartbeat

PORT FIELD (OPTIMA App):  
3000

FOR OTHER CLIENTS (SUPERIO, MIRROR, DIVA, laptops/PCs/Macs etc.)

Please use dhb-heartbeat:3000 to load OPTIMA in a browser's window. Use Google Chrome for best results.

SUPERIO and other Windows based Panels

URL (Browser):  
dhb-heartbeat:3000

For https, substitute port 3000 with 3001

## VIDEOPHONE (INTERCOM)

For any version of the DIVUS VIDEOPHONE: (iOS & Android devices)

VoIP SERVER IP ADDRESS FIELD:  
dhb-heartbeat

PORT FIELD (Videophone):  
5060 (default SIP port)

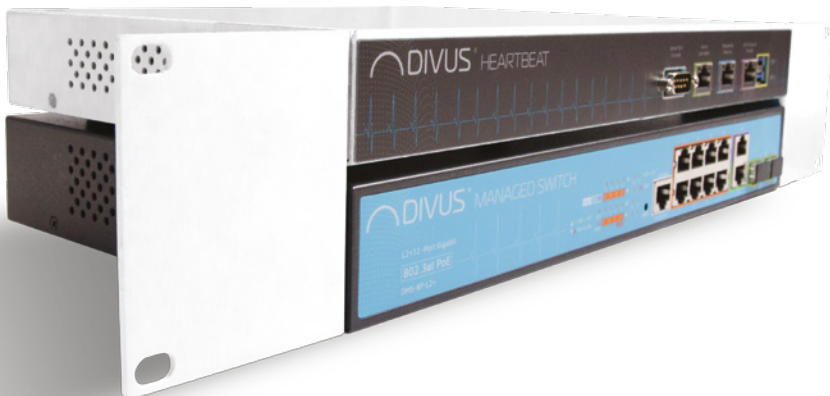
## DIVUS KNX SERVER / KNX SUPERIO v. 2.2+

Only change to the KNX SERVER settings:

1. If you are using a KNX SERVER or KNX SUPERIO with a fixed IP address, switch from STATIC to DHCP in the network settings page and save. Otherwise or if you bought the KNX SERVER/KNX SUPERIO together with the DIVUS HEARTBEAT, go directly to point 2.
2. Connect to the DIVUS HEARTBEAT using a browser on any computer connected to the DIVUS MANAGED SWITCH (see FIRST SETUP) and make a scan. Wait for the scan to complete.
3. Then use the path shown above to connect from clients.

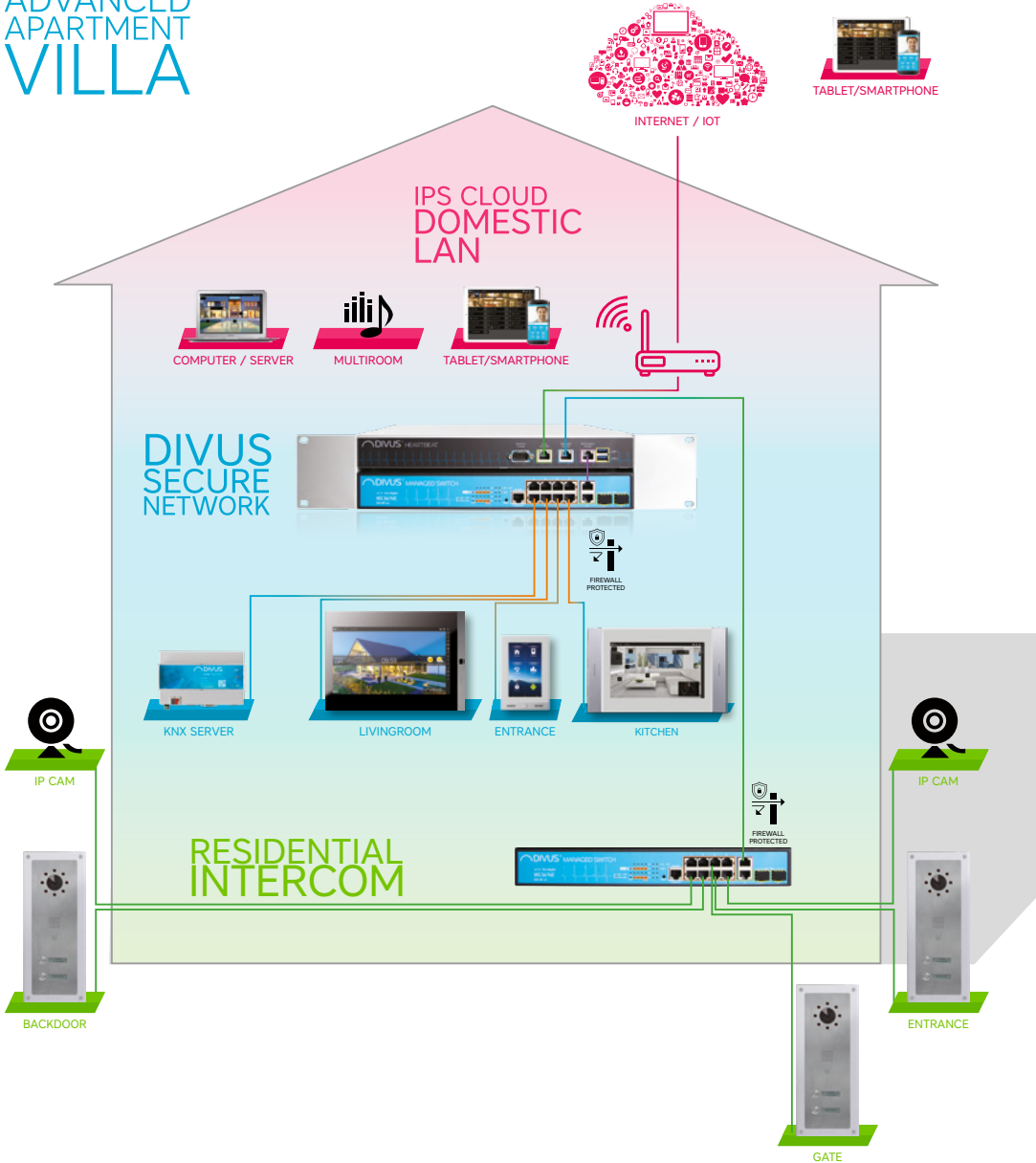
### IMPORTANT NOTE:

PLEASE DO NOT USE THE IP ADDRESSES OF THE SERVERS IN THESE CONFIGURATIONS! USING dhb-heartbeat ALLOWS THE SYSTEM TO ADAPT TO NETWORK CHANGES IN THE FUTURE AUTOMATICALLY, WITHOUT THE NEED TO RE-CONFIGURE ANYTHING.  
NOTE: IF YOU CHANGED THE NAME dhb-heartbeat DURING THE FIRST SETUP, YOU MUST USE THE NEW ONE.



# CONNECTION DIAGRAMM

## ADVANCED APARTMENT VILLA



EXAMPLE OF USE

# SIMPLE APARTMENT HOME



# ADVANCED APARTMENT VILLA



# SIMPLE RESIDENTIAL 2-4 APARTMENTS



# ADVANCED RESIDENTIAL TOWER



# FUNCTIONALITIES

VoiP server

VoiP call logging

Managing of multiple switches

Firewall protection of Home LAN and DIVUS SECURE NETWORK

Firewal protection of external residential network to Home LAN and DIVUS SECURE NETWORK

Network scan

Generation of network reports

Sending network report by email

Network diagram

Network logging

Network diagnostic

Loop protection

DIVUS device control

DIVUS device manage

DIVUS device configuration

DIVUS device logging

DHCP server to DIVUS SECURE INTRANET

NTP server to DIVUS SECURE INTRANET

## STANDARD

DIVUS HEARTBEAT meets the following guidelines and standards:

### Low Voltage Directive 2014/35/EU (ex 73/23/CEE – 93/68/CEE – 06/95/CE)

Standard(s) to which conformity is declared:

EN 50491-3:2009, EN60950-1:2006+A11:2009+A1:2010+A12:2011 Safety

### EMC Directive 2014/30/EU (ex 89/336/CEE – 92/31/CEE – 93/68/CEE - 04/108/CE)

Standard(s) to which conformity is declared:

EN 50491-5-1:2010, EN 50491-5-2:2010 Conducted & Radiated Emissions

### RoHS2 Directive 2011/65/EU (ex 02/95/EC)

Standard(s) to which conformity is declared:

EN 50581:2012 Restriction of hazardous substances

The installation and wiring instructions contained in this documentation must be heeded. Conformity is indicated by the attached CE label.

The EC conformity statements can be obtained from:

**DIVUS GmbH**

**Pillhof 51**

**I-39057 Eppan (BZ) - Italy**

Regarding Directive 2011/65/EU (ex 2002/95/EG) waste electrical and electronic equipment has to be collected separately and is not allowed to dispose as unsorted municipal waste.

## GENERAL INFORMATION

DIVUS GmbH

Pillhof 51

I-39057 Eppan (BZ) - Italy

www.divus.eu

Tel. +39 0471 633662



## Touchpanels for any application



TZ07 - TZ10 - TZ15 - TZ19  
**DIVUS TOUCHZONE**



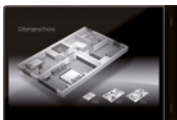
DSK10 - DSK15 - DSK19  
**DIVUS SUPERIO**



DM15 - DM19  
**DIVUS MIRROR**



DD10 - DD15 - DD19  
**DIVUS DOMUS**



DIVA22  
**DIVUS DIVA**



DH10 - DH15  
**DIVUS HOME**

## Intercom & Apps



**DIVUS OPENDOOR**



**DIVUS VIDEOPHONE**



**DIVUS APPS**

## KNX visualization system



**DIVUS KNX CONTROL**



**KNX SERVER**



**DIVUS HEARTBEAT**

**DIVUS**<sup>®</sup>  
Show it. Control it.

DIVUS Headquarters Pillhof 51 . I-39057 Eppan (Italy) . Tel. +39 0471 633 662 . Fax. +39 0471 631 829

info@divus.eu . www.divus.eu