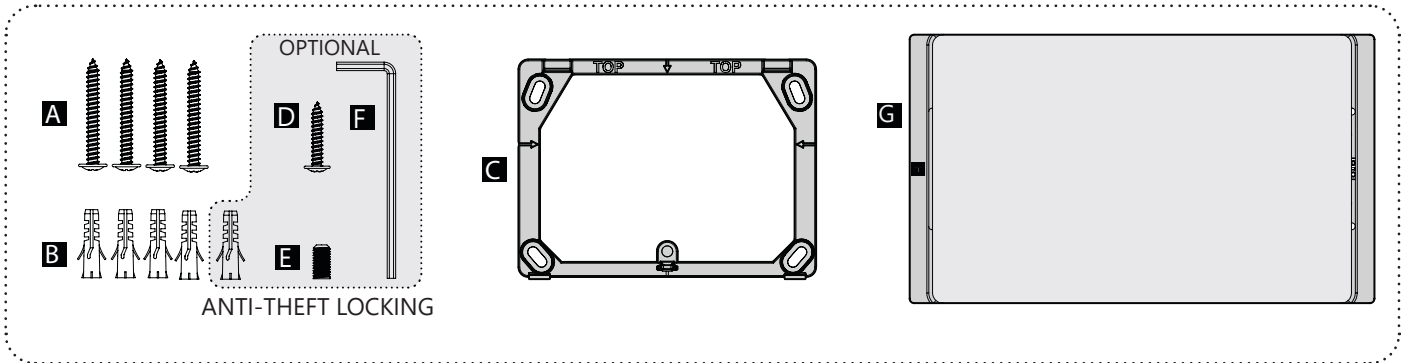


CONTENT



INSTALLATION

1 OPTIONAL STEP

OPTIONAL FOR ANTI-THEFT LOCKING
SEE STEP 9

2

60mm
24mm
52mm
60mm

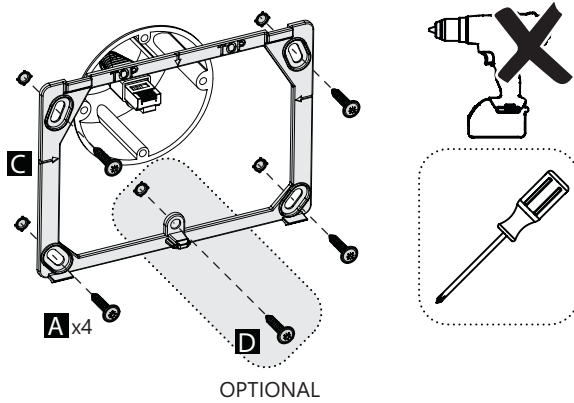
3

OPTIONAL
Ø5x32mm

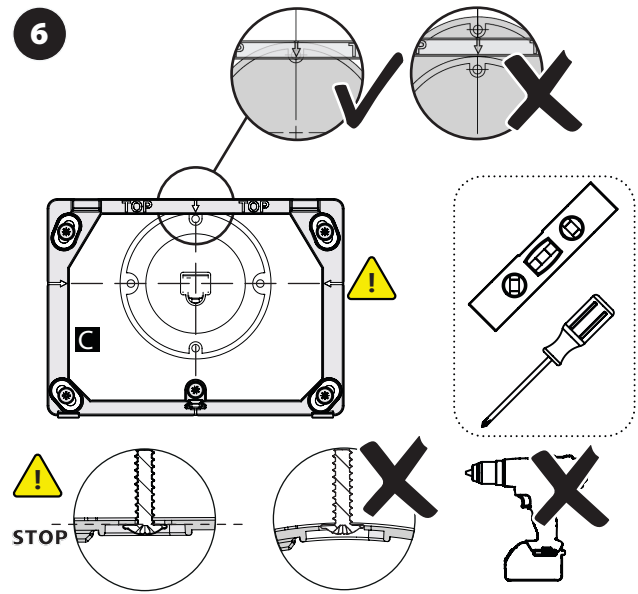
4

B x5
OPTIONAL

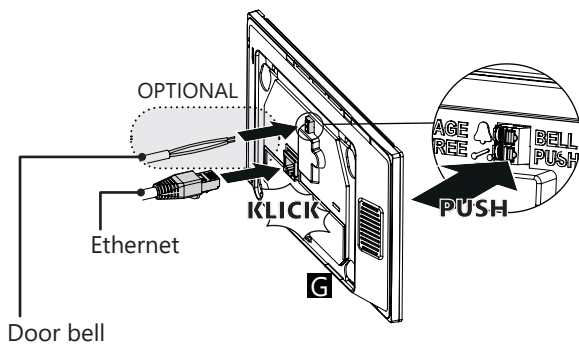
5



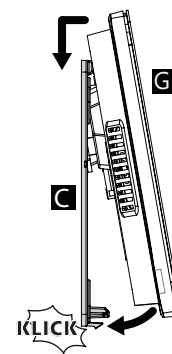
6



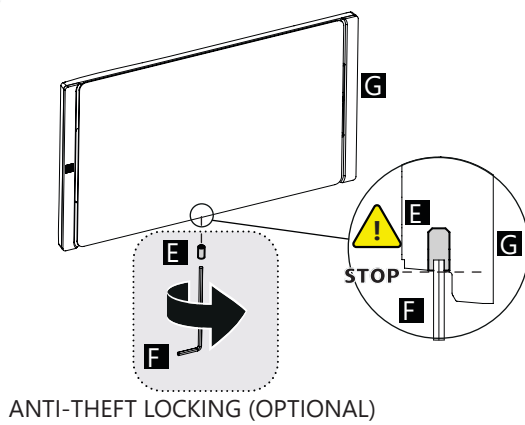
7



8



9 OPTIONAL STEP



TEST AND CLEAN THE OPUS AFTER INSTALLATION