

## EAP 25 SIT US OL (728 503)

- For connecting single-pole earthing and short-circuiting devices to transformers of overhead contact line masts or to fuse holders

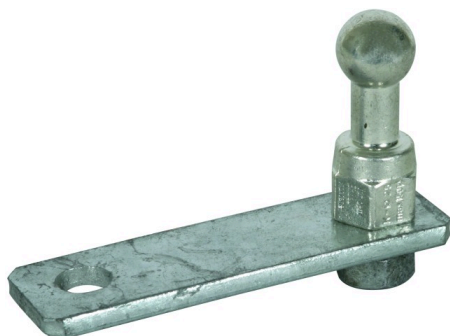


Figure without obligation

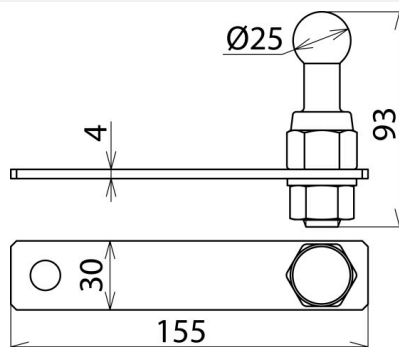


Figure without obligation

| Type  | EAP 25 SIT US OL                                |
|---|---|
| Part No.                                      | 728 503   |
| Fixed point Ø                                 | 25 mm   |
| Dimension                                     | 155 x 30 x 4 mm                                 |
| DB drawing No.                                | 4 Ebgw 01.60                                    |
| DB material No.                               | 157 545   |
| Standard                                      | EN/IEC 61230 (DIN VDE 0683-100) and DIN 48088-1 |
| Material (terminal lug)                       | E-Cu/gal Sn                                     |
| Material (fixed point)                        | E-Cu/gal Sn                                     |
| Material (threaded pin)                       | StSt A2-70                                      |
| Weight  | 453 g   |
| Customs tariff number (Comb. Nomenclature EU) | 85389099  |
| GTIN  | 4013364079564                                   |
| PU  | 1 pc(s)   |

We reserve the right to introduce changes in performance, configuration and technology, dimensions, weights and materials in the course of technical progress. The figures are shown without obligation.