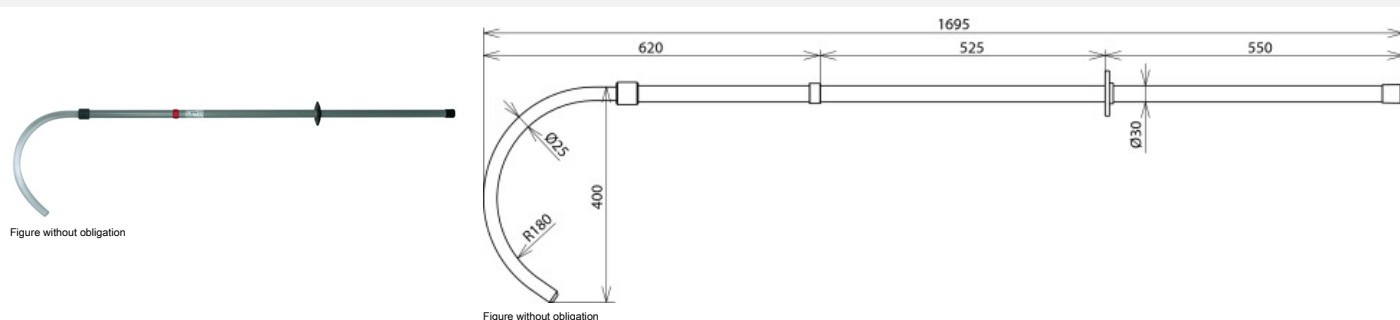


RST 36 1500 (766 041)



For rescuing persons from the live working zone in the event of an electrical accident

Type	RST 36 1500
Part No.	766 041
Nominal voltage (U _N)	1 ... 36 kV
Max. weight of the electrified victim	100 kg
Total length (l _o)	1695 mm
Insertion depth (l _i)	620 mm
Length (handle) (l _h)	550 mm
Standard	Based on DIN VDE V 0681-1
For use at	*
Material (hook)	PVC-HI solid stick
Material (insulating tube)	Glass-fibre reinforced polyester tube
For	Indoor and outdoor installations
Diameter	30 mm
Anti-rotation plug-in coupling including end fitting	No
Type of device	Rescue rod
Weight	1 kg
Customs tariff number (Comb. Nomenclature EU)	85359000
GTIN	4013364113053
PU	1 pc(s)

We reserve the right to introduce changes in performance, configuration and technology, dimensions, weights and materials in the course of technical progress. The figures are shown without obligation.