

**EL M8 S PHE PHV (766 925)**



Figure without obligation

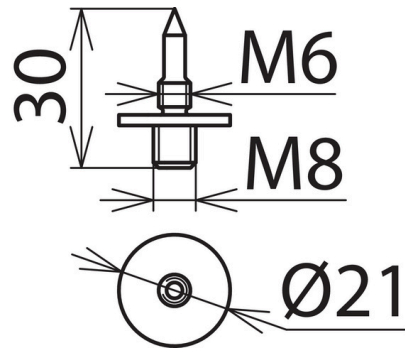


Figure without obligation

<b>Type</b>	<b>EL M8 S PHE PHV</b>
<b>Part No.</b>	<b>766 925</b>
Nominal voltage (U <sub>N</sub> )	From 3 kV
Material	StSt
Weight	10 g
Customs tariff number (Comb. Nomenclature EU)	90309000
GTIN	4013364091672
PU	1 pc(s)

We reserve the right to introduce changes in performance, configuration and technology, dimensions, weights and materials in the course of technical progress. The figures are shown without obligation.