

DSRT QD II (782 002)



Figure without obligation

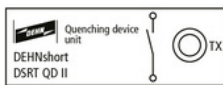
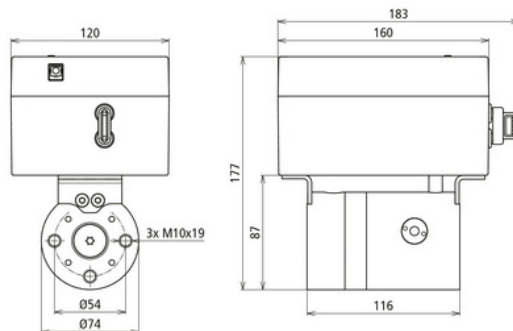


Figure without obligation



Quenching device for direct connection to DSRT DD CPS and DSRT DD PS detection devices.

Type	DSRT QD II
Part No.	782 002
Rated operating voltage (U_e)	400 – 690 V AC, 50 Hz
Rated short-time withstand current (I_{cw})	110 kA, 300 ms
Rated peak withstand current (I_{pk})	242 kA
Standard	IEC 60947-9-1:2019
Dimensions (H x W x D)	177 x 120 x 180 mm
System configurations	TN, TT, IT
Degree of protection	IP 00
Ambient temperature (during operation)	-5 °C ... +55 °C
Max. connection temperature (busbars)	100 °C
Max. operating temperature (electronics)	70 °C
Approvals	VdS
Weight	5,23 kg
Customs tariff number (Comb. Nomenclature EU)	85363090
GTIN	4013364312562
PU	1 pc(s)

We reserve the right to introduce changes in performance, configuration and technology, dimensions, weights and materials in the course of technical progress. The figures are shown without obligation.