

Inbouwcontactdoos

Bestelnr. 1125A

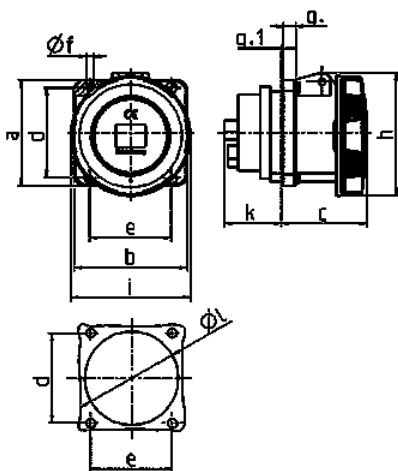


- schroefklemmen
- X-CONTACT®
- rechte uitvoering
- producten met lange bussen en pilootcontactbus op aanvraag

Technische informatie

| | |
|-------------------|----------------|
| Ampère | 63 A |
| Polen | 4 p |
| Voltage | 500 V |
| Uurstand | 7 h |
| Hertz | 50-60 Hz |
| Aansluittechniek | schroefklemmen |
| Contacten | X-CONTACT® |
| Beschermingsgraad | IP 67 |
| Flens | 107x100 mm |
| Bevestigingsgaten | 85x77 mm |
| Gewicht | 604 g |
| Certificeringen | VDE, EAC, CQC |

Tekeningen



| Tekening | Amp. Polen | 63 | | | 125 | |
|-------------------------|---------------|-----|-----|-----|-----|-----|
| | | 3 | 4 | 5 | 4 | 5 |
| 1 MB 212/258 | | | | | | |
| Maten in mm | | | | | | |
| a | | 107 | 107 | 107 | 130 | 130 |
| b | | 100 | 100 | 100 | 130 | 130 |
| c | | 81 | 81 | 81 | 119 | 119 |
| d | | 85 | 85 | 85 | 104 | 104 |
| e | | 77 | 77 | 77 | 104 | 104 |
| f | | 6 | 6 | 6 | 6,5 | 6,5 |
| g | | 12 | 12 | 12 | 18 | 18 |
| g.1 | | 2 | 2 | 2 | 2 | 2 |
| h | | 117 | 117 | 117 | 129 | 129 |
| i | | 113 | 113 | 113 | 126 | 126 |
| k | | 55 | 55 | 55 | 43 | 43 |
| l | | 88 | 88 | 88 | 95 | 95 |
| Kabelaansluiting | | | | | | |
| van/tot mm² | | 6 | 6 | 6 | 25 | 25 |
| | | -25 | -25 | -25 | -70 | -70 |