

Inbouwcontactdoos TwinCONTACT

Bestelnr. 1814

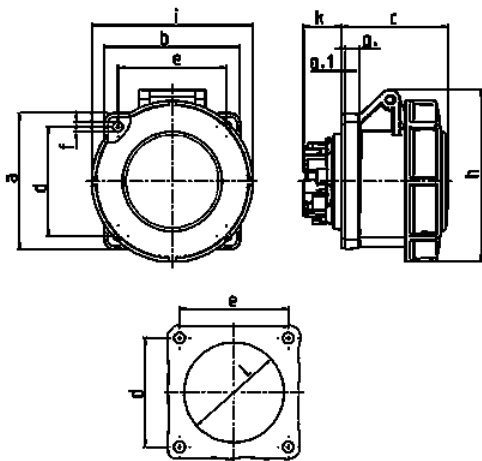


- schroefloos met insteekklemmen
- geschikt voor doorlussen
- rechte uitvoering

Technische informatie

| | |
|-------------------|-------------------------------|
| Ampère | 32 A |
| Polen | 4 p |
| Voltage | 400 V |
| Uurstand | 6 h |
| Hertz | 50-60 Hz |
| Aansluittechniek | zonder schroeven, TwinCONTACT |
| Contacten | standaard |
| Beschermingsgraad | IP 67 |
| Flens | 85x75 mm |
| Bevestigingsgaten | 60x60 mm |
| Gewicht | 120 g |
| Certificeringen | VDE, EAC, CQC |

Tekeningen



| Tekening | Amp. | 16 | | | 32 | | |
|-------------------------|--------------|-----|-----|-----|-----|-----|-----|
| | | 3 | 4 | 5 | 3 | 4 | 5 |
| 1 MB 467 | Polen | | | | | | |
| Maten in mm | a | 75 | 75 | 75 | 85 | 85 | 85 |
| | b | 75 | 75 | 75 | 75 | 75 | 75 |
| | c | 60 | 61 | 61 | 69 | 69 | 72 |
| | d | 60 | 60 | 60 | 60 | 60 | 60 |
| | e | 60 | 60 | 60 | 60 | 60 | 60 |
| | f | 5,5 | 5,5 | 5,5 | 5,5 | 5,5 | 5,5 |
| | g. | 8 | 8 | 8 | 8 | 8 | 8 |
| | g.1 | 2 | 2 | 2 | 2 | 2 | 2 |
| | h | 83 | 88 | 95 | 99 | 99 | 105 |
| | i | 78 | 85 | 96 | 103 | 103 | 110 |
| | k | 21 | 21 | 21 | 28 | 28 | 38 |
| | l | 43 | 52 | 54 | 60 | 60 | 65 |
| Kabelaansluiting | | 1,5 | 1,5 | 1,5 | 2,5 | 2,5 | 2,5 |
| van/tot mm² | | —4 | —4 | —4 | —6 | —6 | —6 |